



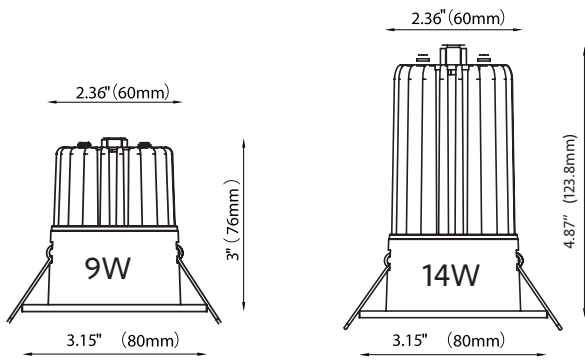
RAD25 SONIC 2.5

2.5" RECESSED LED DOWNLIGHT

9W



14W



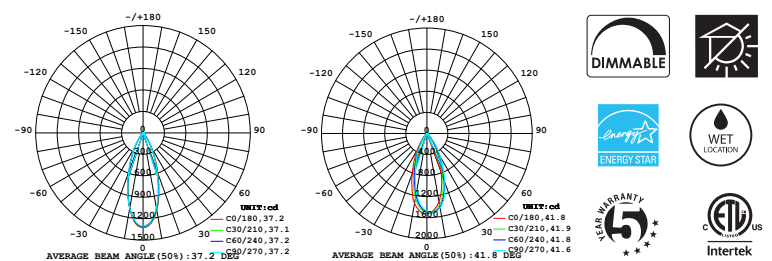
FEATURES

- Air-tight and wet location approved
- Type Ic rated - approved for direct contact with insulation
- Downlight housing is not required even for insulated ceilings
- Spring loaded mounting clips
- Quick connect wire allows for efficient installation
- Isolated driver inside junction box
- New construction plate available (NCH250)
- Optional Emergency Backup
- 5 year warranty
- Trimless option available

SPECIFICATIONS

Input Voltage	120 or 277V AC
Wattage	9/14W
Lumen	800/1100lm
Efficacy(LPW)	>82 lm/W
Color Temp	27K, 30K, 35K, 40K, 50K (CCT adj.)
CRI	>90
Beam Angle	15° / 24°/38°
Dimming	Triac/ 0-10V
Lamp Life	50,000hr
Environment	IP65 Wet Location
Material	Aluminum Body with Anodized Heat Sink
Operating Temp	-4°F - 104°F
Cut out	2.36 inches

LUMINOUS INTENSITY DISTRIBUTION DIAGRAM



ORDERING GUIDE

RAD25 - - - - - *Example: RAD25R-9-CCT-120-15-WT-EM*

TRIM	Wattage	Color Temperature	Input Voltage	Beam Angle	Trim Finish	EM
RAD25R (Round)	9 (800lm)	CCT adj.	120	15°	WT White	EM
RAD25S (Square)	14 (1100lm)	(27K, 30K, 35K, 40K, 50K)	277	24°	BK Black	
RAD25TMS-R (Trimless Round)		3000K		38°	BN Brushed Nickel	
RAD25TMS-S (Trimless Square)		3500K			GD Gold	
		4000K			BZ Bronze	

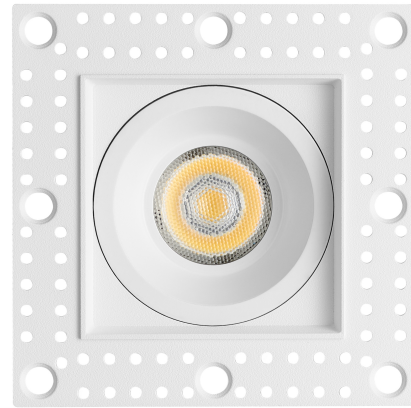
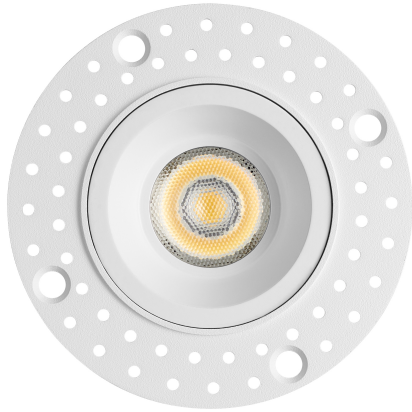
***QUICKSHIP CONFIGURATION - 120V 38 DEGREE BEAM ANGLE**



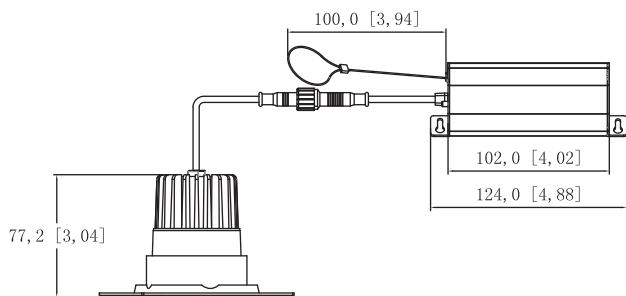
RAD25TMS

SONIC 2.5

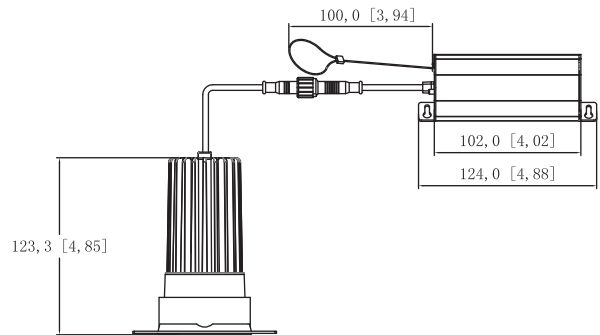
2.5" TRIMLESS DOWNLIGHT



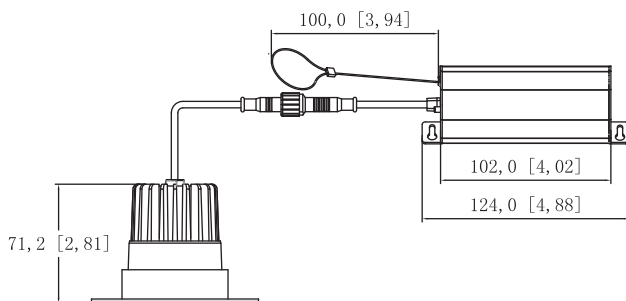
9W TRIMLESS SQUARE



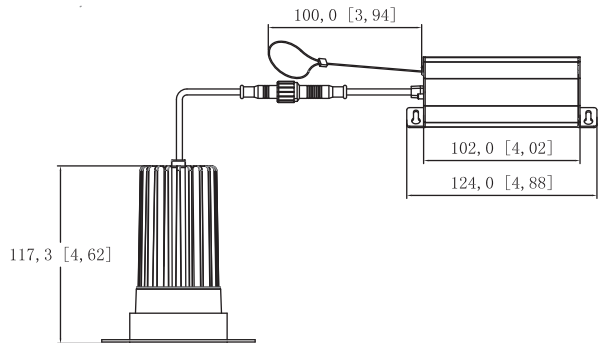
14W TRIMLESS SQUARE



9W TRIMLESS ROUND



14W TRIMLESS ROUND

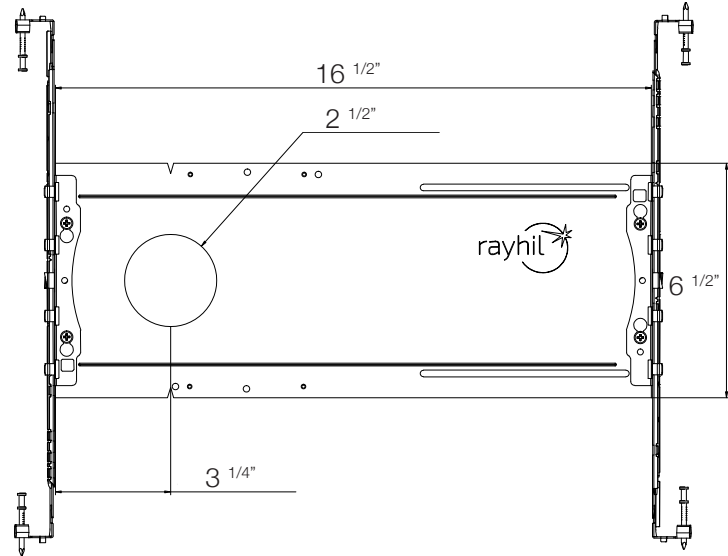




RAD25 SONIC 2.5

2.5" RECESSED LED DOWNLIGHT

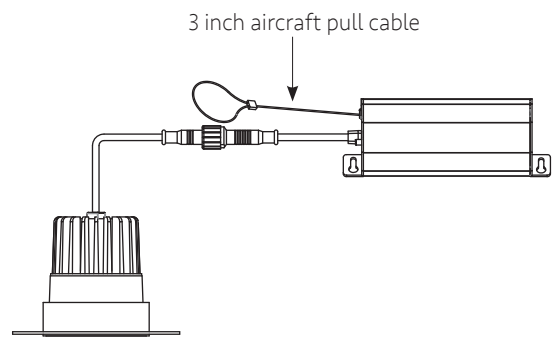
ACCESSORIES / OPTIONS



NEW CONSTRUCTION MOUNTING PLATE NCH250

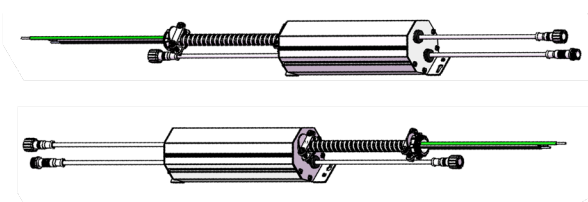
Constructed out of galvanized steel

Magnetic plate and driver facilitate easy and secure placement



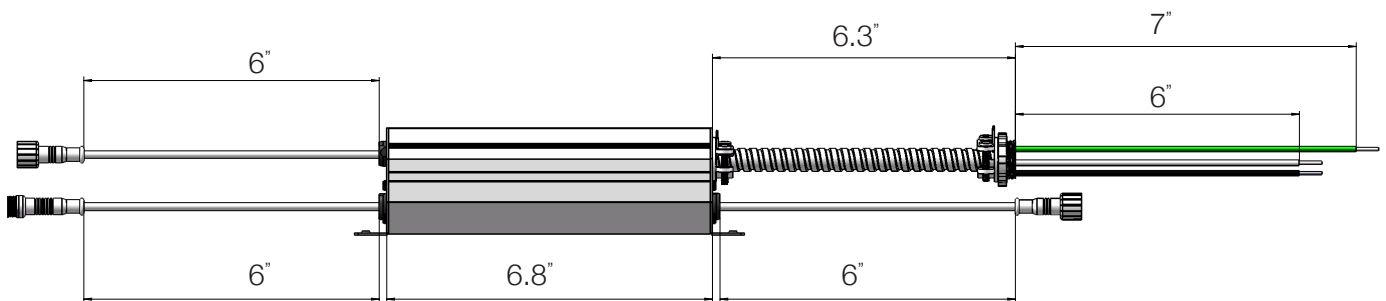
TRIM COLOR OPTIONS

- | | |
|----------------|----|
| White | WT |
| Black | BK |
| Brushed nickel | BN |
| Gold | GD |
| Bronze | BZ |



EMERGENCY BACK UP DRIVER RAD25/35-EM

90 minute run time
See spec sheet for further information





RAD25 SONIC 2.5

2.5" RECESSED LED DOWNLIGHT

COMPATIBLE DIMMERS

LUTRON	LOAD (W)	LEVITON	LOAD (W)
SKYLARK CONTOUR LECL-153P	150W	ILLUMATEC IPL06	150W
SKYLARK CONTOUR CTCL-150H	150W	SURESLIDE 6672	150W
SKYLARK CONTOUR LGCL-153PLH	150W	SURESLIDE 6674	150W
SKYLARK CONTOUR CTCL-153P	150W		
SKYLARK CONTOUR SCL-153P	150W	EATON	
SKYLARK CONTOUR S-600P	600W	SMART DIMMER AAL06	300W
CASETA PD-6WCL	600W		
CASETA PD-5NE	150W	PASS & SEYMOUR	
CASETA PD-10NXD	250W	HARMONY DCL453PTCCCV6	150W
DIVA DVCL-153P	150W		
TOGGLER TGCL-153P	150W	GE	
ARIADNI AYCL-153P	150W	ROCKER 10464	150W
MAESTRO MACL-153M	150W	TOGGLE 18027	150W