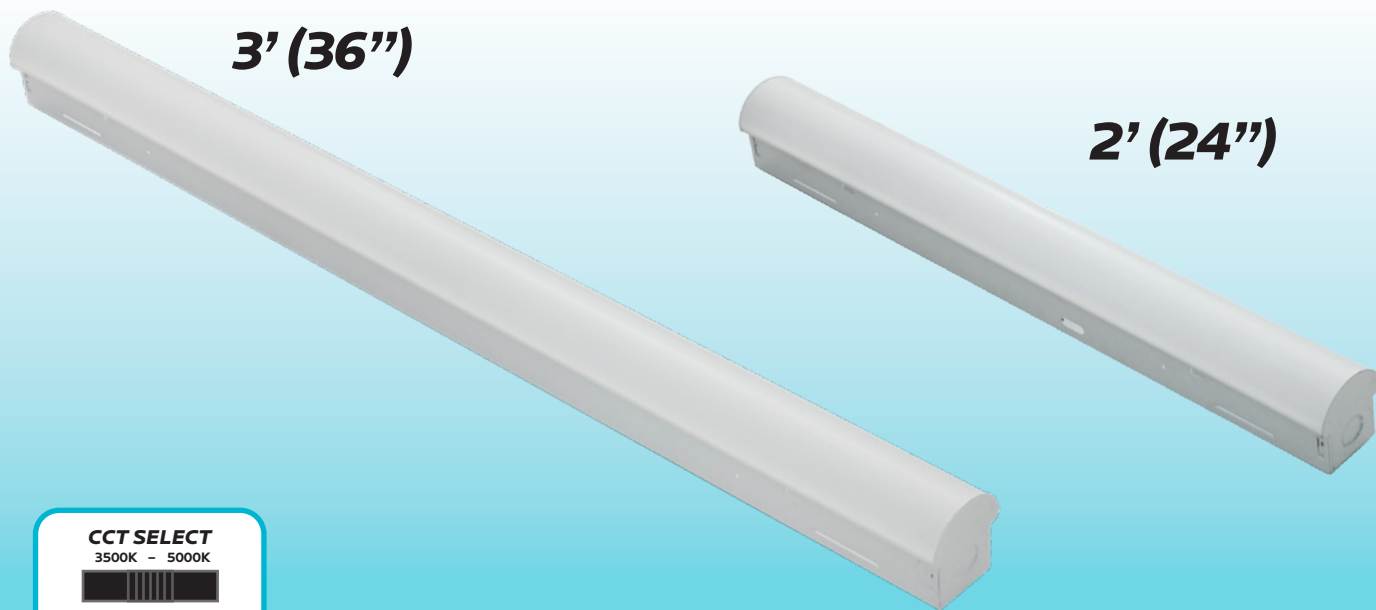


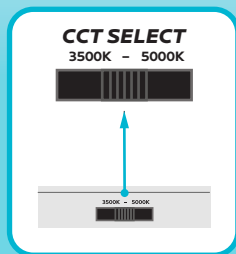
## LED SLIM LINEAR

**3 CCT SELECT  
HIGH OUTPUT  
2', 3'**



**3' (36'')**

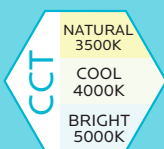
**2' (24'')**



**CCT & WATTAGE SELECT  
SWITCH ON THE SIDE**

**COMPATIBLE WITH:**

<b>LR35120</b>	
<b>LR35121</b>	
<b>EM LED DRIVER</b>	



## SPECIFICATIONS

### ELECTRICAL

	MODEL	DESCRIPTION	POWER	COLOR	LUMEN	EFFICACY	INPUT VOLTS	DIMMABLE	FREQUENCY	LIFETIME
24"	LR25181	LED24/LINEAR/3CCT/UNV/D/HO	20W	3500K	2600	130	120-277V	0-10V	50/60Hz	50,000
				4000K	2620	131				
				5000K	2640	132				
36"	LR25183	LED36/LINEAR/3CCT/UNV/D/HO	25W	3500K	3450	138	120-277V	0-10V	50/60Hz	50,000
				4000K	3475	139				
				5000K	3500	140				

### PHOTOMETRIC

MODEL	COLOR (CCT)	TEMP	CRI
LR25181	3500K/4000K/5000K	NATURAL/COOL/BRIGHT	80
LR25183	3500K/4000K/5000K	NATURAL/COOL/BRIGHT	80

### GENERAL

OPERATING TEMP.	CASE SIZE	DAMP LOCATION	UL LISTED
-4° - 122°	9	YES	YES
-4° - 122°	9	YES	YES

## DIMENSIONS

