

<b>Project:</b>	<b>Type:</b>
<b>Prepared By:</b>	<b>Date:</b>

Driver Info		LED Info	
Type	Constant Current	Watts	13W
120V	0.13A	Color Temp	Field Adjustable
208V	N/A	Color Accuracy	90 CRI
240V	N/A	L70 Lifespan	50,000 Hours
277V	N/A	Lumens	1,048
Input Watts	13W	Efficacy	76

## Technical Specifications

### Performance

#### Product Type:

Wafer Direct Mount

#### LEDs:

Edge-lit LED Technology

#### Color Temperature:

2700K/3000K/3500K/4000K/5000K

#### Input Wattage:

13W

#### Lumens:

1025lm | 1075lm | 1130lm | 1160lm | 1160lm

#### Efficacy:

78.8 lm/W | 82.7 lm/W | 87 lm/W | 89.2 lm/W | 89.2 lm/W

#### Color Accuracy:

90 CRI

#### Dimmable:

TRIAC and ELV dimming compatibility

#### L70 Lifespan:

50,000-Hour LED lifespan based on IES LM-80 results and TM-21 calculations

### Construction

#### Size:

6"

#### Shape:

Round

#### Enclosure Material:

Plastic

#### Finish:

White

#### Trim Style:

Smooth Trim

## Technical Specifications (continued)

### Construction

#### Lens:

Acrylic light guide distributes light evenly and smoothly for general lighting applications

#### Gaskets:

Gasket included can achieve restrictive airflow and wet location without any additional gasket or calk

#### Beam Angle:

110°

### Electrical

#### THD:

≤20%

#### Power Factor:

≥0.9

#### Operating Temperature:

-30°C - 40°C

#### Input Voltage:

120V

#### Operating Frequency:

60Hz

### Installation

#### Mounting:

Tall spring towers allow to be installed in 3/8" up to 5/8" thick ceilings

Round ceiling cutout template provided in box  
Heat treated springs hold fixture fitting securely in the ceiling eliminating light leaks

Housing is less than 1/2" thick

Can be removed from below the ceiling for service or replacement

#### Remote Driver / Junction Box:

Die formed metal driver / junction box with captive hinged junction box cover. Recessed CCT Selectable dipswitch. Listed for (6) #12 AWG 90° C splice conductors, 2-in, 2-out plus (2) ground. (4) 1/2" conduit pry-outs. (3) wire nuts for quick and reliable line voltage connections. Integral mounting facilitates direct mounting to building structure or mounting frame.

### Other

#### Equivalency:

75W

#### Technology EQ:

Incandescent

#### Trade Agreements Act Compliant:

This product is a product of Cambodia and a "designated country" end product that complies with the Trade Agreements Act

#### Buy American Act Compliance:

RAB values USA manufacturing! Upon request, RAB may be able to manufacture this product to be compliant with the Buy American Act (BAA). Please contact customer service to request a quote for the product to be made BAA compliant.

### Compliance

#### Model Number:

DLW0055(WFRL6R139FA120WS)

#### Safety Listing:

UL Listed

### Environment:

Wet

#### Fixture Rating:

Enclosed

#### Air Tight:

Housing certified Air Tight as per ASTM E283

#### IC Rated:

Suitable for direct contact with insulation

#### Energy Star ID:

2365746

#### T24 JA8 Compliant:

Complies with Title 24 Appendix JA8

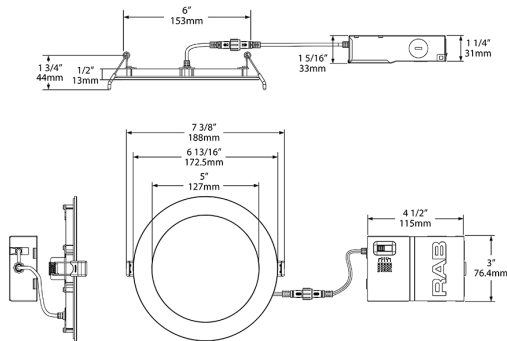
#### RoHS:

Mercury and UV free. RoHS-compliant components.

#### FCC:

Complies with Part 15 of the FCC Rules

## Dimensions



## Features

- 5 color temperatures in 1 SKU (2700K, 3000K, 3500K, 4000K, 5000K)
- Super slim Edge-lit fixture for thin fixture depth
- No recessed housing or J-box required
- New construction or retrofit applications
- UL wet location rated
- Smooth diffused uniform light distribution
- Dimmable down to 5% on compatible dimmers
- Spring loaded retention clips
- Robust, die cast aluminum construction
- IC and airtight rated
- 5-Year, No-Compromise Warranty

## Ordering Matrix

Family	Size	Shape	Wattage	CRI/Color Temp	Voltage	Finish	Trim
WFRL	6	R	13	9FA	120	W	S
	4 = 4" 6 = 6"	R = Round	9 = 630lm 13 = 1000lm	9FA = 90 CRI, Field Adjustable	120 = 120V	W = White	B = Baffle S = Smooth