

# Product data sheet

Specifications



Circuit breaker, PowerPact B, 15A, 2 pole, 480Y/277VAC, 18kA, I-Line, thermal magnetic, 80%, BC

BDA24015Y4

Product availability : Stock - Normally stocked in distribution facility

**Price\* : 714.00 USD**

## Main

Range	PowerPact
Product name	PowerPact B
Device short name	BD 015
Product or Component Type	Circuit breaker
Device Application	Distribution

## Complementary

Line Rated Current	15 A
Number of Poles	2P
Control Type	Toggle
Breaking capacity code	D
Breaking capacity	25 kA 208Y/120 V AC 50/60 Hz UL 489 25 kA 240 V AC 50/60 Hz UL 489 18 kA 480/277 V AC 50/60 Hz UL 489 18 kA 480 V AC 50/60 Hz UL 489 10 kA 600Y/347 V AC 50/60 Hz UL 489
[Ue] rated operational voltage	525 V AC 50/60 Hz UL 489
Network Frequency	50/60 Hz
[Ics] rated service breaking capacity	25 kA 220...240 V AC 50/60 Hz IEC 60947-2 14 kA 500...525 V AC 50/60 Hz IEC 60947-2 18 kA 380...415 V AC 50/60 Hz IEC 60947-2 18 kA 440 V AC 50/60 Hz IEC 60947-2
[Uimp] rated impulse withstand voltage	8 kV IEC 60947-2
Trip unit technology	Thermal-magnetic
Continuous current rating	80 %
[Ui] rated insulation voltage	800 V IEC 60947-2
Suitability for isolation	Yes IEC 60947-2
Utilisation category	Category A
Mechanical durability	20000 cycles IEC 947-1 Annex K ed 5.2
Electrical durability	10000 cycles IEC 947-1 Annex K ed 5.2 440 V In
Connection pitch	1.06 in (27 mm)

\* Price is "List Price" and may be subject to a trade discount – check with your local distributor or retailer for actual price.

<b>AWG gauge</b>	AWG 14...AWG 2/0 aluminium/copper
<b>Local signalling</b>	Presence of auxiliary contacts flag green)
<b>Mounting mode</b>	I-Line
<b>Electrical connection</b>	I-Line connection line Lugs load
<b>Mounting Height</b>	3.00 in (76.2 mm)
<b>Tightening torque</b>	31.86...38.94 lbf.in (3.6...4.4 N.m) 0.00...0.01 in <sup>2</sup> (2.5...6 mm <sup>2</sup> ) (AWG 14...AWG 10) 44.25...54.87 lbf.in (5...6.2 N.m) 0.02...0.11 in <sup>2</sup> (10...70 mm <sup>2</sup> ) (AWG 8...AWG 2/0)
<b>Number of slots</b>	1 auxiliary switch OF plug-in) 1 voltage release MN or MX plug-in)
<b>Power wire stripping length</b>	0.79 in (20 mm)
<b>Color</b>	Gray RAL 7016)
<b>9 mm pitches</b>	6
<b>Height</b>	5.39 in (137 mm)
<b>Width</b>	2.13 in (54 mm)
<b>Depth</b>	3.50 in (89 mm)
<b>Net Weight</b>	2.10 lb(US) (0.952 kg)
<b>Quantity per Set</b>	Set of 1
<b>Phase connection</b>	BC

## Environment

<b>Quality labels</b>	CE
<b>Standards</b>	GB 14048.2 EN/IEC 60947-5-1 NEMA AB1 EN/IEC 60947-2 CSA C22.2 No 5 UL 489 NMX J-266
<b>Product certifications</b>	UL IEC CCC EAC CSA NOM
<b>IP degree of protection</b>	Front cover IP40 IEC 60529
<b>IK degree of protection</b>	IK07 IEC 62262
<b>Pollution degree</b>	3 IEC 60947-1
<b>Ambient Air Temperature for Operation</b>	-13...158 °F (-25...70 °C)
<b>Ambient Air Temperature for Storage</b>	-58...185 °F (-50...85 °C)
<b>Operating altitude</b>	< 6561.68 ft (2000 m) without derating 5000 m with derating

## Ordering and shipping details

<b>Category</b>	01133-BDA I-LINE BREAKER
<b>Discount Schedule</b>	DE2
<b>GTIN</b>	3606481151759
<b>Nbr. of units in pkg.</b>	1
<b>Package weight(Lbs)</b>	3.15 lb(US) (1.43 kg)
<b>Returnability</b>	Yes

Country of origin	MX
-------------------	----

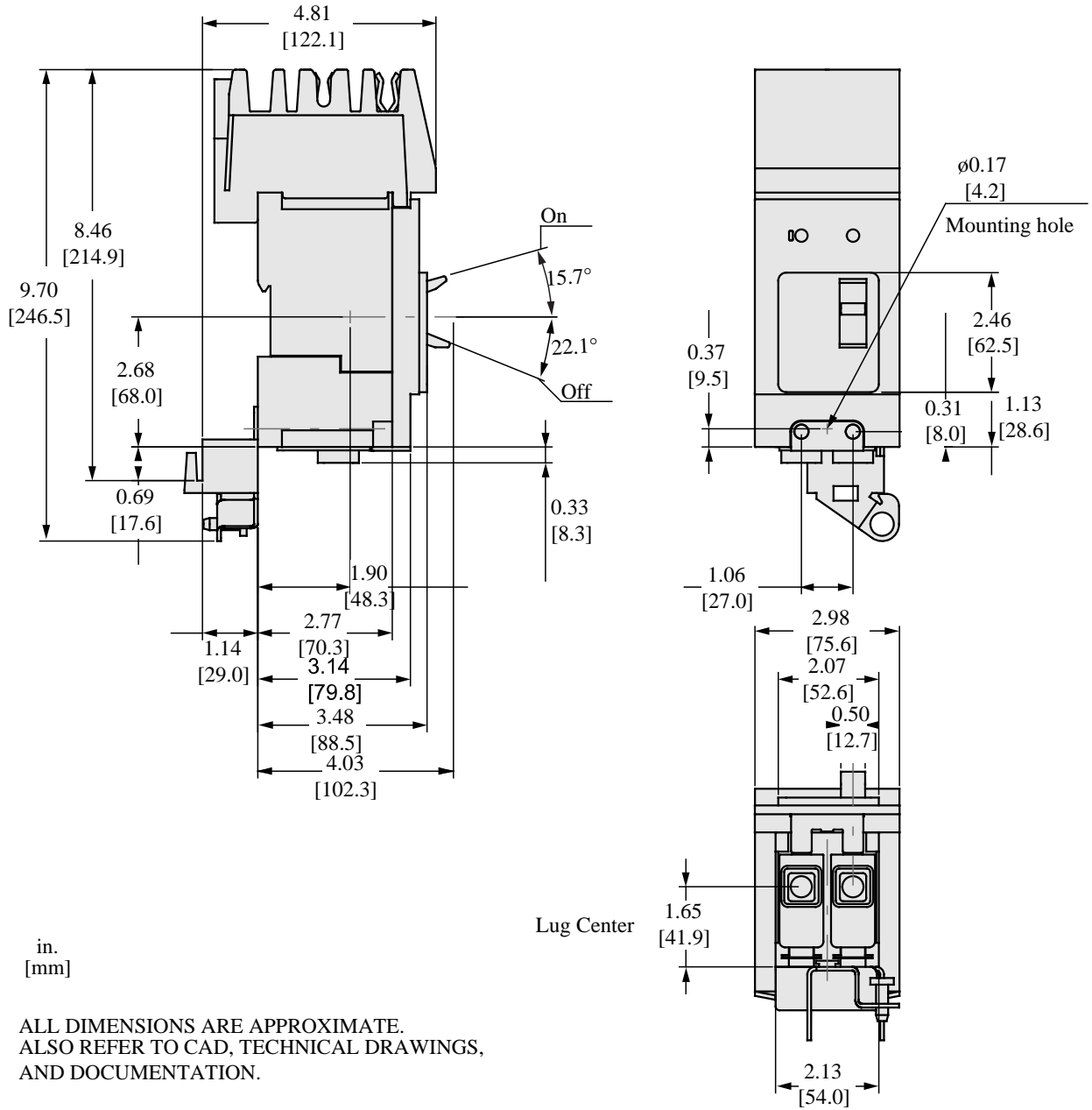
## Packing Units

Unit Type of Package 1	PCE
Package 1 Height	4.80 in (12.2 cm)
Package 1 width	8.11 in (20.6 cm)
Package 1 Length	12.72 in (32.3 cm)

## Offer Sustainability

Sustainable offer status	Green Premium product
California proposition 65	WARNING: This product can expose you to chemicals including: DINP, which is known to the State of California to cause cancer, and DIDP, which is known to the State of California to cause birth defects or other reproductive harm. For more information go to <a href="http://www.P65Warnings.ca.gov">www.P65Warnings.ca.gov</a>
REACH Regulation	<a href="#">REACH Declaration</a>
EU RoHS Directive	Compliant <a href="#">EU RoHS Declaration</a>
Mercury free	Yes
RoHS exemption information	<a href="#">Yes</a>
China RoHS Regulation	<a href="#">China RoHS declaration</a> Product out of China RoHS scope. Substance declaration for your information.
Environmental Disclosure	<a href="#">Product Environmental Profile</a>
WEEE	The product must be disposed on European Union markets following specific waste collection and never end up in rubbish bins.
PVC free	Yes
Halogen content performance	Halogen free product

Dimensions



ALL DIMENSIONS ARE APPROXIMATE.  
 ALSO REFER TO CAD, TECHNICAL DRAWINGS,  
 AND DOCUMENTATION.